

**FH**  
n≈3500rpm

**Centrifugal pump**  
**Bomba centrífuga**  
**Pompe centrifuge**  
**Центробежный насос**



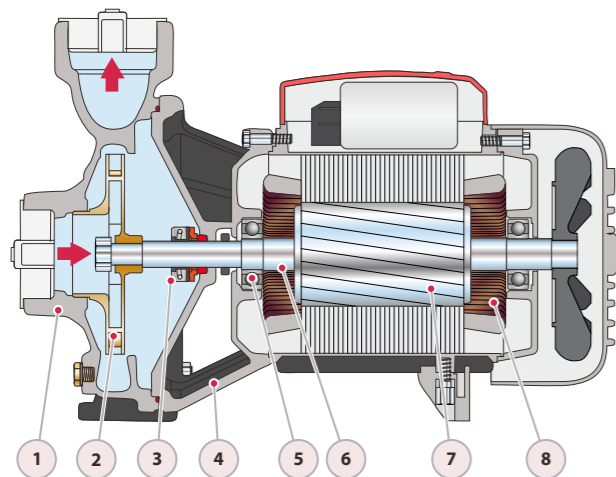
DESCRIPTION/DESCRIPCIONES/DESCRIPTION/ОПИСАНИЕ

- ◆ FANCY new design centrifugal pump.
- ◆ The series models with standards certified CE and EAC.
- ◆ Company with management system certified ISO 9001.
- ◆ FANCY bomba centrífuga de nuevo diseño.
- ◆ Los modelos de la serie con estándares certificados CE y EAC.
- ◆ Empresa con sistema de gestión certificado ISO 9001.
- ◆ Pompe centrifuge FANCY de nouvelle conception.
- ◆ Les modèles de série aux normes certifiées CE et EAC.
- ◆ Entreprise avec système de management certifié ISO 9001.
- ◆ Центробежный насос FANCY новой конструкции.
- ◆ Модели этой серии сертифицированы по стандартам CE и EAC.
- ◆ Компания с системой менеджмента ISO 9001.

APPLICATIONS/APLICACIONES/APPLICATIONS/ПРИЛОЖЕНИЯ

- ◆ Liquid temperature between -10°C and +80°C
- ◆ Ambient temperature between 0°C and +40°C
- ◆ Max. working pressure 10 bar
- ◆ Temperatura del líquido de -10 °C hasta +80 °C
- ◆ Temperatura ambiente de 0 °C hasta +40 °C
- ◆ Presión máxima en el cuerpo de la bomba 10 bar
- ◆ Température du liquide entre -10 °C et +80 °C
- ◆ Température ambiante entre 0 °C et +40 °C
- ◆ Max. pression de service 10 bar
- ◆ Температура жидкости от -10°C до +80°C
- ◆ Температура окружающей среды от 0°C до +40°C
- ◆ Макс. рабочее давление 10 бар

MATERIAL DESCRIPTION/DESCRIPCIÓN MATERIAL/DESCRIPTION MATÉRIEL/ОПИСАНИЕ МАТЕРИАЛА



| No. | Description/Descripción<br>Description/Описание | Material/Material<br>Matériel/Материал                             |
|-----|---|--|
| 1   | Pump Case/Cuerpo<br>Boîtier/Корпус насоса       | Cast iron/Fundición<br>Fonte/Чугун                                 |
| 2   | Impeller/Impulsor<br>Roue/Импульсор             | Brass/Latón<br>Laiton/Латунь                                       |
| 3   | Seal/Cierre<br>Garniture/Тюлень                 | Ceramic&Carbon/Cerámica&Grafito<br>Ceramic&Carbon/Керамика&Углерод |
| 4   | Connection/Conexión<br>Lien/Связь               | Cast iron/Fundición<br>Fonte/Чугун                                 |
| 5   | Bearing/Cojinete<br>Palier/Подшипник            | Ball bearing/Bola rodamiento<br>Roulement bille/Шарикоподшипник    |
| 6   | Shaft/Eje<br>Arbre/Вал                          | SUS304/Inox304<br>Inox304/СУС304                                   |
| 7   | Rotor/Rotor<br>Rotor/Ротор                      | Silicon Steel/Acero al Silicio<br>Acier silicium/Кремниевая сталь  |
| 8   | Wiring/Alambrado<br>Câblage/Электропроводка     | 100% copper/100% cobre<br>100% cuivre/100% медь                    |

TECHNICAL DATA/DATOS TÉCNICOS/DONNÉES TECHNIQUES/ТЕХНИЧЕСКИЕ ДАННЫЕ

60Hz n≈3500l/min

| MODEL<br>MODELO<br>MODÈLE<br>МОДЕЛЬ | DN    | Power<br>Potencia<br>Puissance<br>Мощность | GPM 0<br>m³/h 0<br>l/min 0 | Q=Delivery/Caudal/Débit/Подача |       |   |      |      |      |      |      |      |      |      |     |     |   |  |
|-------------------------------------|-------|--|----------------------------|--------------------------------|-------|---|------|------|------|------|------|------|------|------|-----|-----|---|--|
|                                     |       |  |                            | 26                             | 53    | 85  | 112  | 127  | 137  | 185  | 225  | 238  | 344  | 370  |     |     |   |  |
| 1-ph                                | 3-ph  | mm   | kw                         | hp                             | Brass | H=Head(m)/Altura(m)/Hauteur(m)/Общий напор в метрах водяного столба (м) |      |      |      |      |      |      |      |      |     |     |   |  |
| FHm1B                               | FH1B  | 40x40                                      | 0.6                        | 0.8                            | Brass | 19.5  | 15   | 9.5  | 1.5  | -    | -    | -    | -    | -    | -   | -   | - |  |
| FHm1A                               | FH1A  | 40x40                                      | 0.75                       | 1                              | Brass | 21  | 16.5 | 11   | 3.5  | -    | -    | -    | -    | -    | -   | -   | - |  |
| FHm5C                               | FH5C  | 50x50                                      | 0.6                        | 0.8                            | Brass | 12.5  | 12   | 10.5 | 8    | 4.5  | -    | -    | -    | -    | -   | -   | - |  |
| FHm5B                               | FH5B  | 50x50                                      | 0.75                       | 1                              | Brass | 15  | 14   | 11.5 | 8    | 4    | 3    | -    | -    | -    | -   | -   | - |  |
| FHm5A                               | FH5A  | 50x50                                      | 1.1                        | 1.5                            | Brass | 16  | 15   | 13   | 9    | 4.5  | 3.6  | -    | -    | -    | -   | -   | - |  |
| FHm5BM                              | FH5BM | 50x50                                      | 1.1                        | 1.5                            | Brass | 20  | 19   | 17   | 13   | 5.5  | 4    | -    | -    | -    | -   | -   | - |  |
| FHm5AM                              | FH5AM | 50x50                                      | 1.5                        | 2                              | Brass | 24.5  | 23   | 21   | 16   | 9    | 7.5  | 4.5  | -    | -    | -   | -   | - |  |
| FHm6C                               | FH6C  | 80x80                                      | 1.1                        | 1.5                            | Brass | 14.5  | 14   | 13   | 11   | 9    | 8.5  | 8    | 5    | 2    | -   | -   | - |  |
| FHm6CR                              | FH6CR | 100x100                                    | 1.1                        | 1.5                            | Brass | 14.5  | 14   | 13   | 11   | 9    | 8.5  | 8    | 5    | 2    | -   | -   | - |  |
| FHm6B                               | FH6B  | 80x80                                      | 1.5                        | 2                              | Brass | 16.5  | 16   | 15   | 13.5 | 11.5 | 11   | 10.2 | 7    | 3.5  | 5   | -   | - |  |
| FHm6BR                              | FH6BR | 100x100                                    | 1.5                        | 2                              | Brass | 16.5  | 16   | 15   | 13.5 | 11.5 | 11   | 10.2 | 7    | 3.5  | 5   | -   | - |  |
| FHm6A                               | FH6A  | 80x80                                      | 2.2                        | 3                              | Brass | 15.5  | 15.5 | 15   | 14.5 | 13.5 | 13.3 | 13   | 11   | 9.2  | 8.5 | 1   | - |  |
| FHm6AR                              | FH6AR | 100x100                                    | 2.2                        | 3                              | Brass | 15.5  | 15.5 | 15   | 14.5 | 13.5 | 13.3 | 13   | 11   | 9.2  | 8.5 | 1   | - |  |
| FHm7B                               | FH7B  | 80x80                                      | 3                          | 4                              | Brass | 19.5  | 19.5 | 19   | 18   | 17   | 16.7 | 16.3 | 14.5 | 12.5 | 12  | 4.5 | 2 |  |
| FHm7BR                              | FH7BR | 100x100                                    | 3                          | 4                              | Brass | 19.5  | 19.5 | 19   | 18   | 17   | 16.7 | 16.3 | 14.5 | 12.5 | 12  | 4.5 | 2 |  |

PERFORMANCE CURVE/CURVA DE RENDIMIENTO/COURBE DE PERFORMANCE/КРИВАЯ ПРОИЗВОДИТЕЛЬНОСТИ

